

## Introduction

This installation guide explains how to assemble the rail rack and install an HP Z2 Mini G9 computer into it.

## Kit contents

- HP Z2 Mini G9 Rail Rack
- Installation instructions (this document)
- Warranty information

## Tools required

A #1 Phillips screwdriver is required to assemble the rail rack kit.

## Before you begin

To view QuickSpecs and determine the compatibility of this product with your HP computer, see <http://www.hp.com/go/productbulletin>.

© Copyright 2022 HP Development Company, L.P.

The information contained herein is subject to change without notice. The only warranties for HP products and services are set forth in the express warranty statements accompanying such products and services. Nothing herein should be construed as constituting an additional warranty. HP shall not be liable for technical or editorial errors or omissions contained herein.

First Edition: May 2022



Printed in the Czech Republic

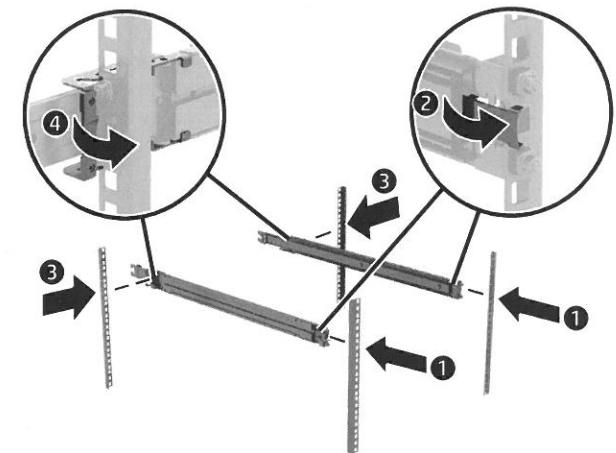
N21468-001

## Preparing for installation

- 1 If you need help preparing the computer for this installation, see the removal and replacement procedures at <http://www.hp.com/go/hardwarevideos>.
- 2 Turn off the computer, and then disconnect the power cord.
- 3 Turn off all external devices, and then disconnect them from the computer.

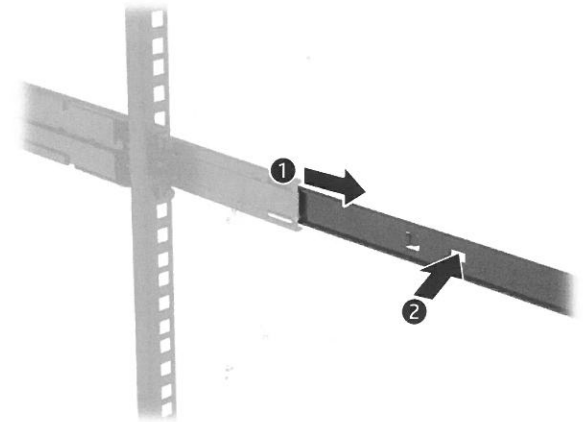
## Installation

- 1 Insert the rails into the mounting holes on the front of the rack ①. Secure the rails to the front of the rack with the spring clips ②. Attach the rails to the mounting holes at the rear ③. Secure the rails to the rear of the rack with the spring clips ④.

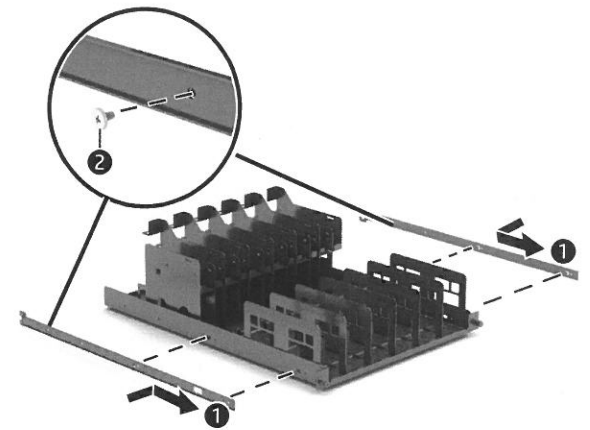


**Installation**  
*continued*

- 2** Slide the inner rail forward until it locks **1**. Then pull the white tab forward and slide the inner rail out of the rack **2**.

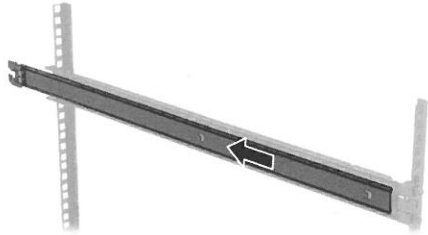


- 3** Install the rails onto the chassis by inserting the tabs into the side of the chassis, sliding the rail forward **1**, and securing the rails with screws **2**.

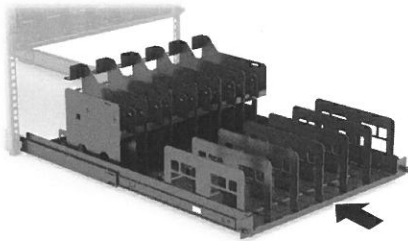


**Installation**  
*continued*

- 4** If the middle rail is pulled out, rotate the lever on the end of the rail to unlock the middle rail and slide it toward the rear of the rack.

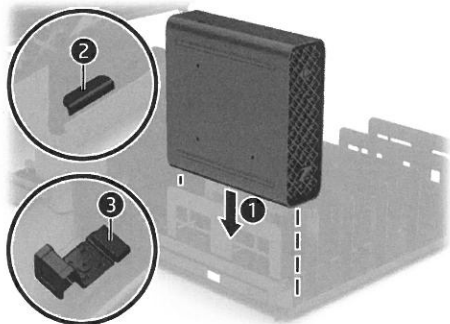


- 5** Align the inner rails attached to the chassis with the middle rails, and then insert the chassis into the rack until you feel and hear a click.



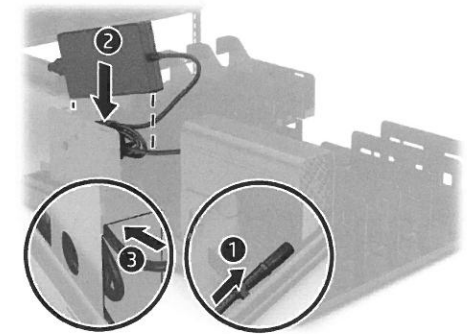
- 6** Set the HP Z2 Mini G9 computer into the rack **1**, insert it to the front hook **2**, and push the latch to lock it **3**.

 A red mark indicates that it is unlocked.

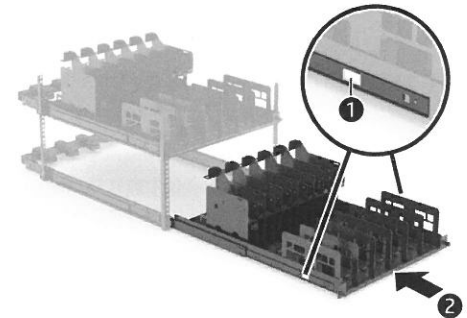


**Installation**  
*continued*

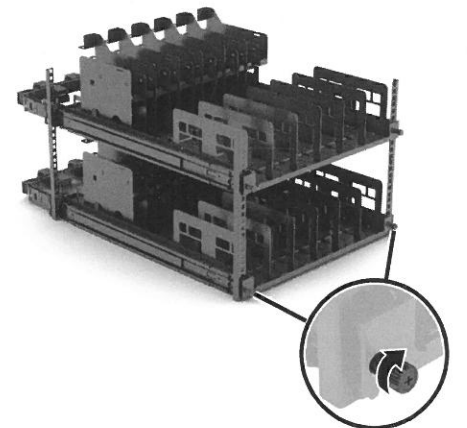
- 7** Attach the power cable to the back of the computer **1**, place the power brick in the holder **2**, and route the cable **3**.



- 8** On both inner rails, pull the blue tab forward **1**, and then slide the chassis fully into the rack **2**.



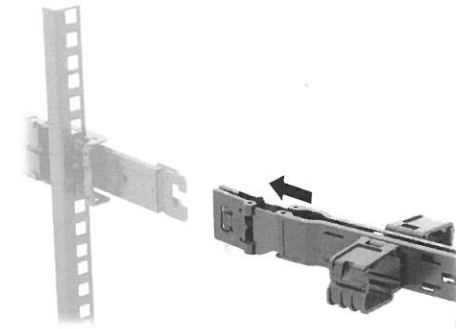
- 9** To secure the chassis, tighten the left and right thumb screws on the front of the rack.



**Installation**  
*continued*

**10** Attach the connector of the cable management arm to the rail of the rack.

 Sold separately.



**After the  
installation**

- 1** Reconnect all external devices.
- 2** Turn on the computer and all external devices.



For regulatory, certification, and environmental information, including Restriction of Hazardous Substances (RoHS), scan the QR code, or go to [www.hp.com/go/regulatory](http://www.hp.com/go/regulatory).